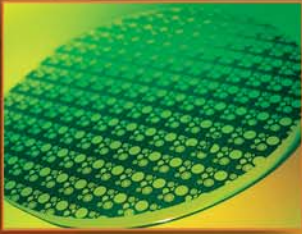


TOSHIBA

IK-TF9C

3-MEGA PIXEL 3 CCD COLOR CAMERA



3-MEGA PIXEL

3 CCD

PROGRESSIVE SCAN

COLOR CAMERA

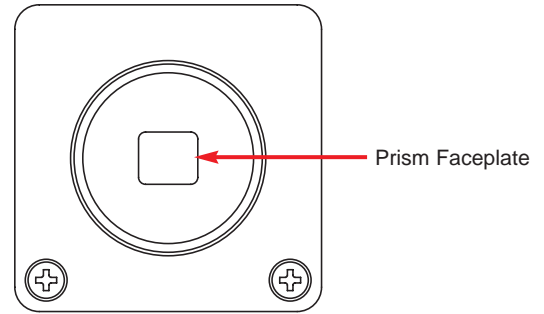
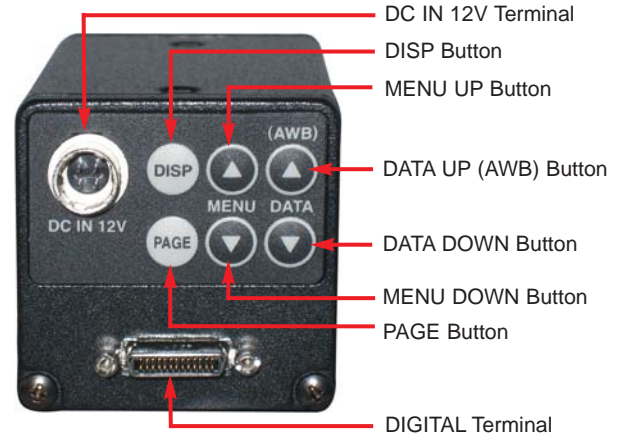
- > 3 Progressive Scan CCD Sensors
- > Output Resolution of 2048 x 1536
- > Video Output – Camera Link
- > 20 frames/sec (full frame)
- > Partial Scan 30 frames/sec and 40 frames/sec
- > Ultra Compact Size
- > On-screen and RS-232 Setup
- > Asynchronous Reset
- > Pulse Width Trigger
- > C-Mount Lens Mount

IK-TF9C

3 MEGA PIXEL 3CCD COLOR CAMERA

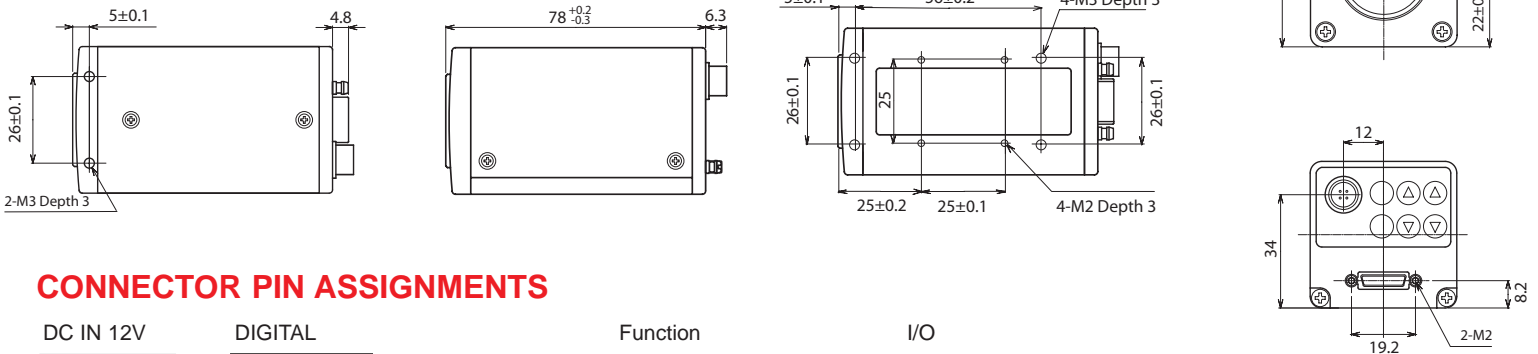
SPECIFICATIONS

Scanning System	Progressive Scan
Image Sensor	3 x 1/3" CCD
Effective Pixels	1034 x 779
Output Pixels	2048 x 1536 (by way of 1/2 pixel offset)
Frame Rate	20 frames per second (full frame)
Partial Scan	30 fps (972 lines); 40 fps (644 lines)
Pixel Size	4.65 μm (H) x 4.65 μm (V)
Clock	80.87 MHz
Output Interface	Camera Link
Output Signal	8-bit RGB
Sync Signal Output	FVAL/LVAL/DVAL
Gamma Correction	Yes
White Balance	AWB/Manual
Gain	Manual, OFF (odB)
Input Power	12VDC +/- 10%
Minimum Illumination	10 Lux at F2.2
Lens Mount	C-mount
Ambient Temp.	0°C - 40°C
Ambient Humidity	Less than 90%
Weight	165g
Dimensions	44 mm x 44 mm x 78.3 mm



DIMENSIONS

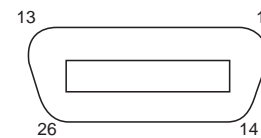
Measurements in Millimeters



CONNECTOR PIN ASSIGNMENTS

DC IN 12V	DIGITAL	Function	I/O
1 +12V	1 GND	14 GND	-
2 +12V	2 X0-	15 X0+	O
3 GND	3 X1-	16 X1+	O
4 GND	4 X2-	17 X2+	O
	5 Xclk-	18 Xclk+	O
	6 X3-	19 X3+	O
	7 SerTC+	20 SerTC-	Serial communication control (RXD)
	8 SerTFG-	21 SerTFG+	Serial communication control (TXD)
	9 CC1-	22 CC1+	Trigger pulse input
	10 CC2+	23 CC2-	Partial scanning control
	11 CC3-	24 CC3+	NC
	12 CC4+	25 CC4-	NC
	13 GND	26 GND	-

Connector used:
HR10A-7P-4PB
(HIROSE electronics
Co. Ltd.) or equivalent



Connector used:
12226-51000-00 (3M)
or equivalent