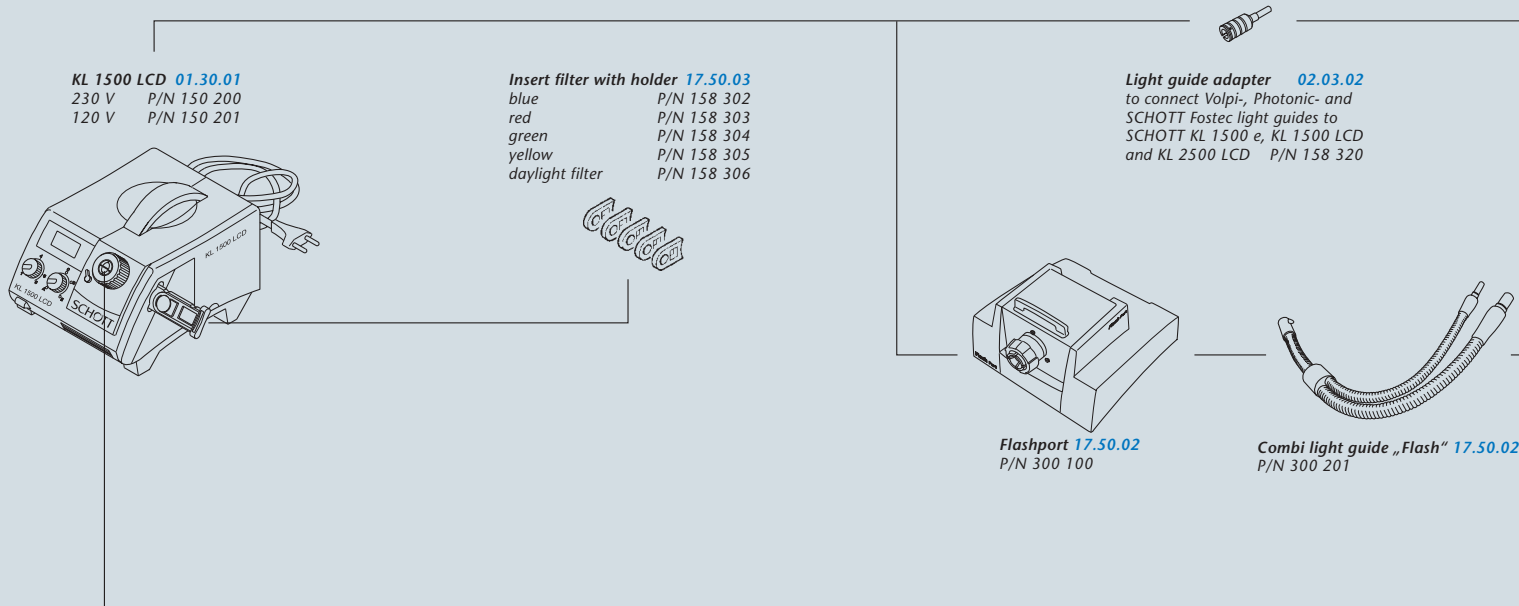
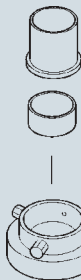


System diagram KL 1500 LCD | KL 2500 LCD



Objective adapter for ringlights onto microscope objectives of major microscope manufacturers available.
For details refer to system diagrams of microscope manufacturer or [referenced SCHOTT datasheets](#).
All datasheets available on SCHOTT's Standard product catalog CD-ROM or on SCHOTT's website under www.us.schott.com/fiberoptics



Annular ringlight for incident darkfield 17.05.01
flexible length approx. 1000 mm P/N 157 405

4-point ringlight 17.06.01
flexible length approx. 1000 mm
 $\varnothing_i = 30$ mm P/N 157 401
 $\varnothing_i = 66$ mm P/N 157 402

Mini ringlight 17.04.01
flexible length approx. 1000 mm
M-PVC, with changeable adapter for connecting on KL 200/KL 750 or KL 1500 LCD/KL 2500 LCD
 $\varnothing_i = 18.5$ mm P/N 157 018
 $\varnothing_i = 22.0/25.0$ mm P/N 157 025
 $\varnothing_i = 30.0$ mm P/N 157 030
 $\varnothing_i = 40.0$ mm P/N 157 040

Annular ringlight 17.01.01
flexible length approx. 1000 mm
 $\varnothing_i = 58$ mm P/N 157 410
 $\varnothing_i = 66$ mm P/N 157 420

Maxi ring light 17.03.01
 $\varnothing_i = 150$ mm P/N 157 440

Polarisation filter 17.01.01
for annular ring light $\varnothing_i = 66$ mm P/N 158 430
for annular ring light $\varnothing_i = 58$ mm P/N 158 440

Holder for Maxi ringlight 17.03.01
 $\varnothing_i = 58$ mm P/N 157 445

Lightline with adjustable front lens, 17.30.01
flexible length approx. 1000 mm, M-PVC
Slit 50 x 1.2 mm P/N 160 100
Slit 100 x 0.6 mm P/N 160 110
Slit 200 x 0.3 mm P/N 160 120

Gooseneck light guide 17.25.01
1-branch $\varnothing = 4.5$ mm/600 mm P/N 154 101

Gooseneck light guide 17.25.01
2-branch $\varnothing = 4.5$ mm/600 mm P/N 154 202

Gooseneck light guide 17.25.01
3-branch $\varnothing = 4.5$ mm/600 mm P/N 154 302

Flexible light guide 17.20.01
1-branch, M-PVC P/N 155 101
(only for KL 1500 LCD)
 $\varnothing = 3.0$ mm/1000 mm P/N 155 101
 $\varnothing = 5.0$ mm/1000 mm P/N 155 100
 $\varnothing = 5.0$ mm/1600 mm P/N 155 102
 $\varnothing = 8.0$ mm/1000 mm P/N 155 103

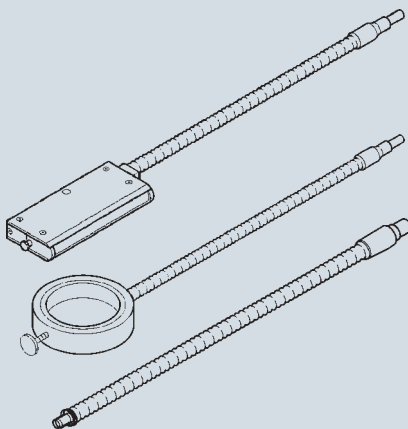
Flexible light guide 17.21.01
2-branch, M-PVC P/N 155 204
 $\varnothing = 4.5$ mm/1000 mm P/N 155 204
 $\varnothing = 5.0$ mm/1600 mm P/N 155 205

Flexible light guide 17.21.01
3-branch, M-PVC P/N 155 206
 $\varnothing = 4.5$ mm/1000 mm P/N 155 206

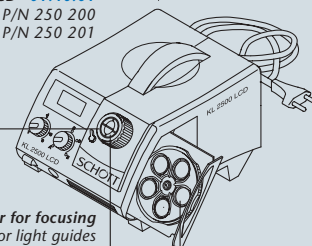
Lightline with adjustable focusing optics and tilt angle, non-slip 17.30.01
length of flexible bundle 1500 mm
Line 300 x 0.3 mm P/N 160 130

Annular ringlight "Jumbo" 17.02.01
Ø_i = 66 mm P/N 257 420

Flexible light guide 17.25.01
M-PVC Ø = 12 mm/1000 mm P/N 250 101
M-PVC Ø = 15 mm/1000 mm P/N 250 102
M-PVC Ø = 15 mm/1500 mm P/N 250 103



KL 2500 LCD 01.40.01
230 V P/N 250 200
120 V P/N 250 201



Focusing lens without filter¹⁾ for light guides
Ø = 12/15 mm P/N 158 210

Polarization filter for focusing lens¹⁾, twistable for light guides
Ø = 12/15 mm P/N 158 205

Electronic accessoires 17.50.01
Y-piece for simultaneous operation of tilt switch (258 403) and remote control (258 402) P/N 258 400
Cable extension P/N 258 401



Remote control P/N 258 402



Tilt switch P/N 258 403

Focusing lens and filter set for light guides up to Ø = 5 mm; blue, red, green, yellow P/N 158 200

Polarisation filter for focusing lens¹⁾
P/N 158 205

Daylight filter for focusing lens¹⁾
P/N 158 211

Focusing lens for light guides¹⁾
up to Ø = 5 mm P/N 158 210

Holder for focusing lens¹⁾
P/N 158 341

Polarization filter for focusing lens, twistable¹⁾ for light guides
Ø = 8 mm P/N 158 206

¹⁾ 17.27.01

Focusing lens without filter¹⁾ for light guides
Ø = 8 mm P/N 158 215

Insert filter Ø 28 mm for fluorescence excitation for filter wheel and filter slider (KL 1500 LCD) 17.50.03
blue λ = 484 nm P/N 258 313
green λ = 515 nm P/N 258 314

Insert filter Ø 28 mm for filter wheel and filter slider (KL 1500 LCD) 17.50.03
blue P/N 258 302
red P/N 258 303
green P/N 258 304
yellow P/N 258 305
daylight filter P/N 258 306

Articulating arm¹⁾ with 2 x M6 connecting threads P/N 158 345

Base for articulating arm¹⁾ with 3 x M6 connecting threads P/N 158 340

Transmitted light stage 17.28.01
Ø 84 mm, for flexible light guide up to Ø 5 mm P/N 122 150

Polarizing filter attachment for TL 17.28.01 P/N 158 500

Holder with M6 thread¹⁾ P/N 157 430
for slit ringlight
Ø_i = 58 mm, Ø_i = 66 mm
for 4-point ringlight
Ø_i = 30 mm, Ø_i = 66 mm
for flexible light guide
Ø = 12 mm, Ø = 15 mm

Holder with M6 thread¹⁾ for flexible light guide
up to Ø = 5 mm P/N 158 330
for flexible light guide
up to Ø = 8 mm P/N 158 335

Analyzer M 49 x 0.75 17.28.01 P/N 158 505

Analyzer M 52 x 1 17.28.01 P/N 158 510